

**FABO ACADEMY X - CHINA**

---

**INTRODUCTION TO 2D AND 3D  
CAD DESIGN SOFTWARE**

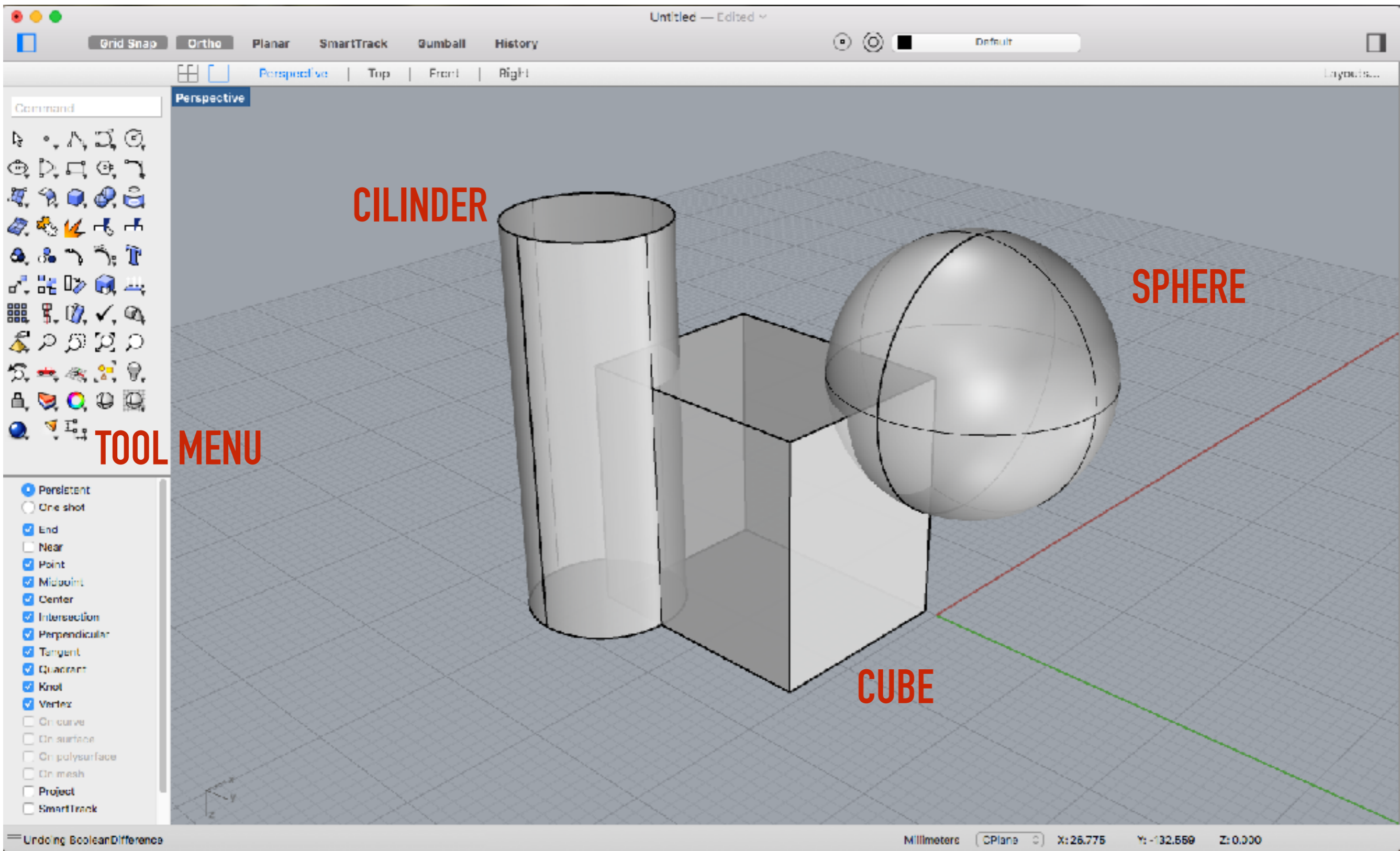


# 3D CAD

---

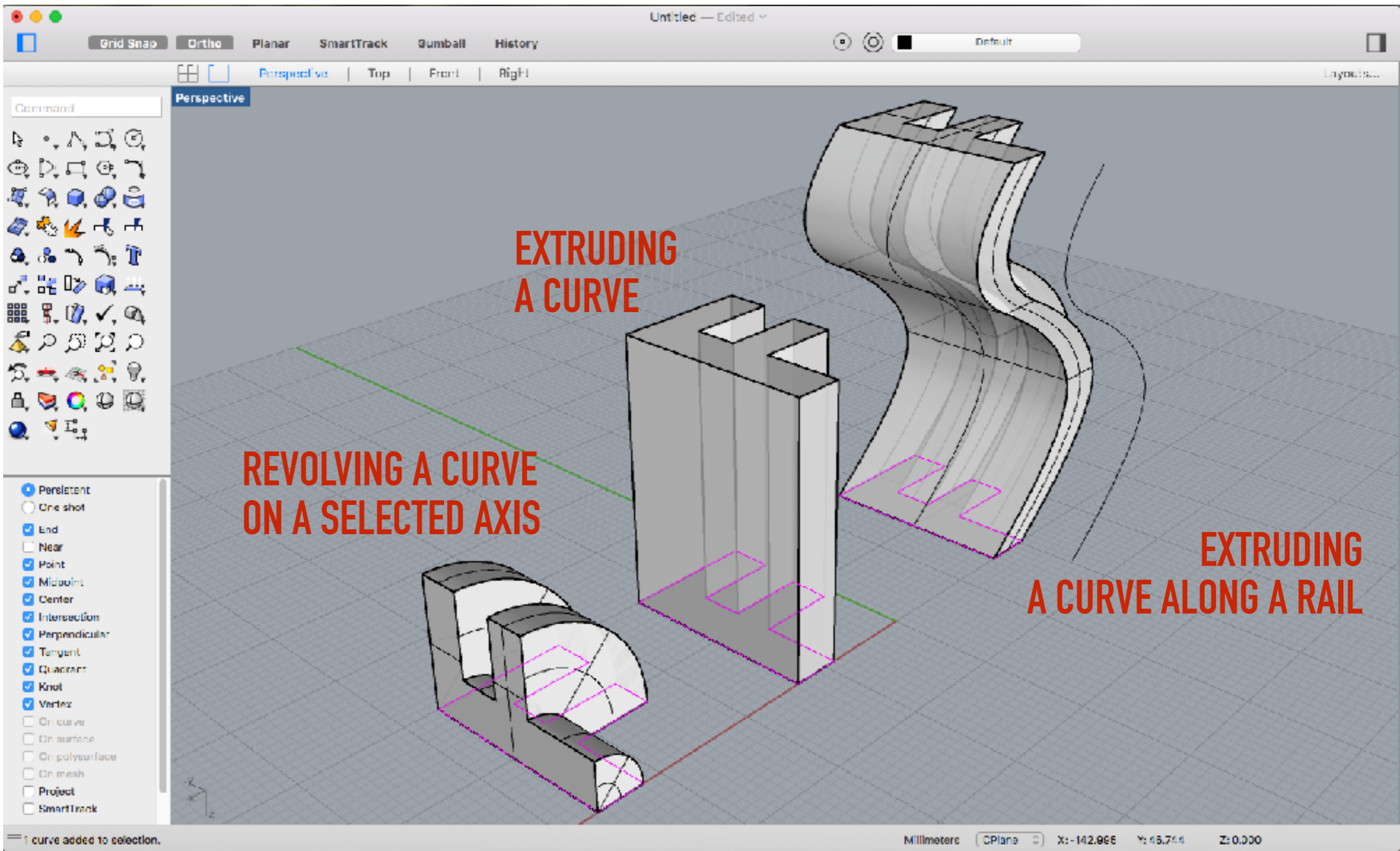
## 3D Computer Aided Design





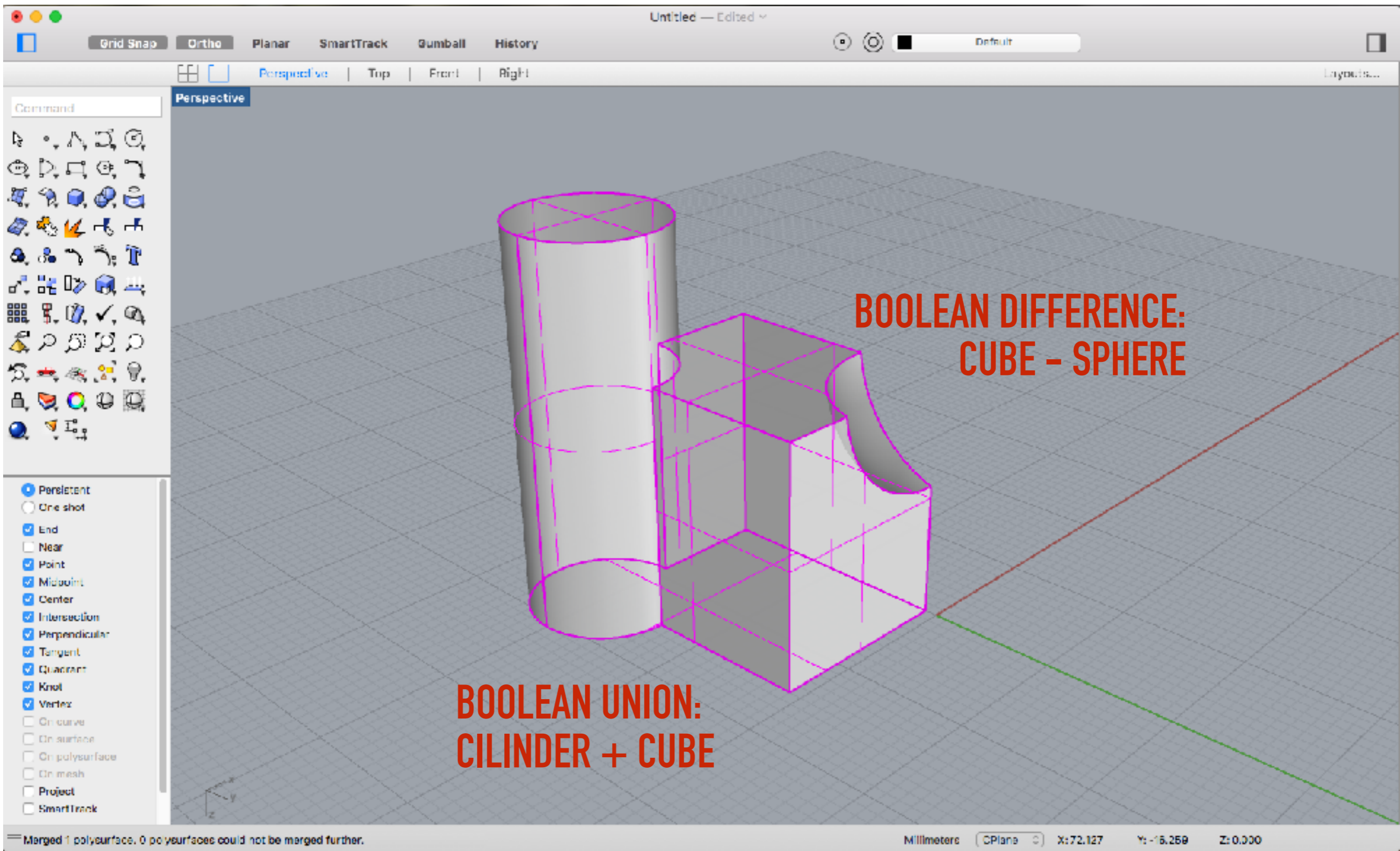
# 3D CAD – CREATING SIMPLE SOLID SHAPES

Select the correspondent tool from the tool menu



# 3D CAD – CREATING COMPLEX SOLID

Three ways of creating a complex solid



# 3D CAD – BOOLEAN OPERATIONS

“Booleans” are used to create shapes by addition or subtraction

MESH IS DEFINED BY A DISCRETE  
NUMBER OF POLYGONAL FACES

NURBS (NON-UNIFORM  
RATIONAL BASIS SPLINE)  
IS A MATHEMATICAL MODEL.

## NURBS vs MESHES

As for raster images, a mesh solid is defined by a discrete number of faces and is affected by resolution.